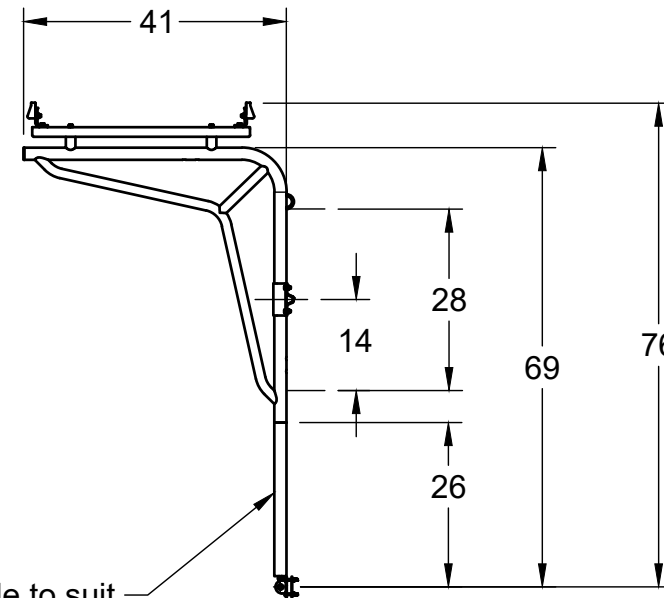
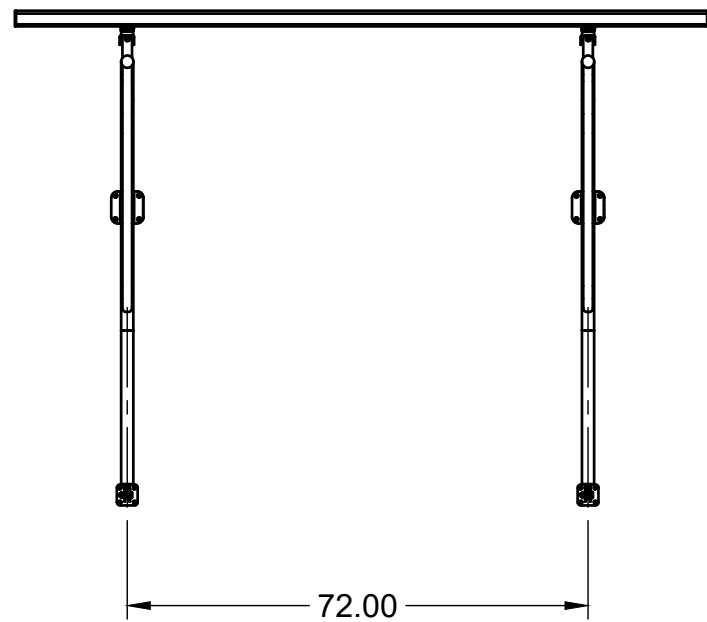
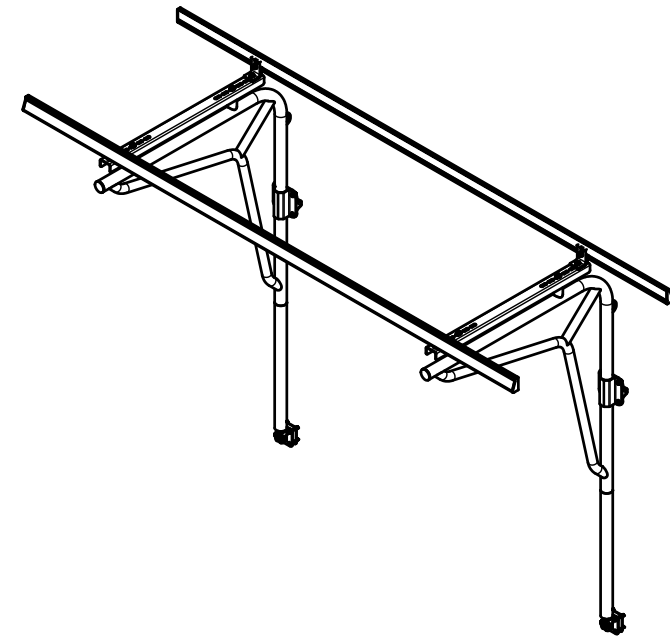


Max. Module Rail Length: 192" (with 2 Davit Arms)



This section is height adjustable to suit project requirements. Standard is 24 inches.

Maximum span between davit arms is 144" O.C.
Spans exceeding 144" require an additional support arm.

<p>PROPRIETARY AND CONFIDENTIAL THE INFORMATION CONTAINED IN THIS DRAWING IS THE SOLE PROPERTY OF MARTEK DAVITS LLC. ANY REPRODUCTION IN PART OR AS A WHOLE, WITHOUT THE WRITTEN PERMISSION OF MARTEK DAVITS LLC IS PROHIBITED.</p>	PROJECT		
	TITLE TLA-1003 Solar Arch		
APPROVED	SIZE	CODE	DWG NO
CHECKED	B		
DRAWN Robert Scott 5/12/2026	SCALE 1:30	WEIGHT	SHEET 1/1
			REV