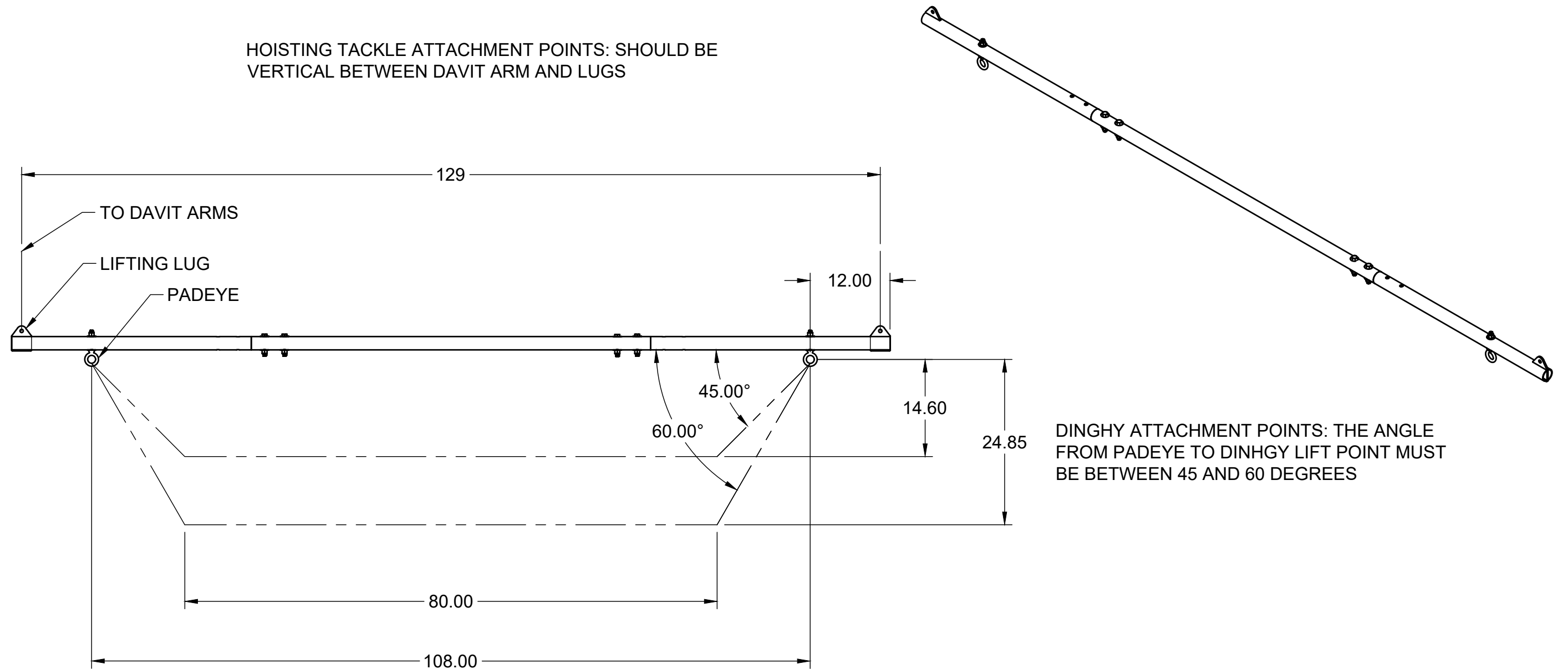


HOISTING TACKLE ATTACHMENT POINTS: SHOULD BE VERTICAL BETWEEN DAVIT ARM AND LUGS



DINGHY ATTACHMENT POINTS: THE ANGLE FROM PADEYE TO DINHGY LIFT POINT MUST BE BETWEEN 45 AND 60 DEGREES

**NOTES**

- THIS PRODUCT IS NOT A LIFE-SAVING DEVICE
- MAXIMUM LOAD:  
505 LBS WITH A 3.0 SAFETY FACTOR  
400 LBS WITH A 3.8 SAFETY FACTOR  
375 LBS WITH A 4.0 SAFETY FACTOR

**PROPRIETARY AND CONFIDENTIAL**  
THE INFORMATION CONTAINED IN THIS DRAWING IS THE SOLE PROPERTY OF MARTEK DAVITS LLC. ANY REPRODUCTION IN PART OR AS A WHOLE, WITHOUT THE WRITTEN PERMISSION OF MARTEK DAVITS LLC IS PROHIBITED.

PROJECT

TITLE

**Spreader Bar Assembly 11-ft**

APPROVED	SIZE	CODE	DWG NO	REV
CHECKED	B			
DRAWN Robert Scott 3/9/2026	SCALE 1:16	WEIGHT	SHEET 1/1	